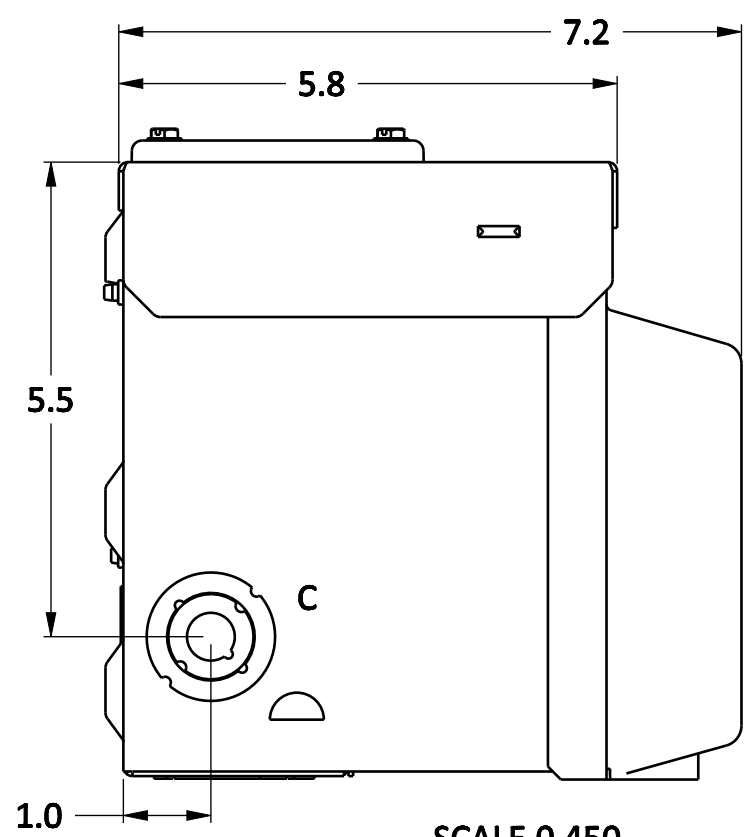
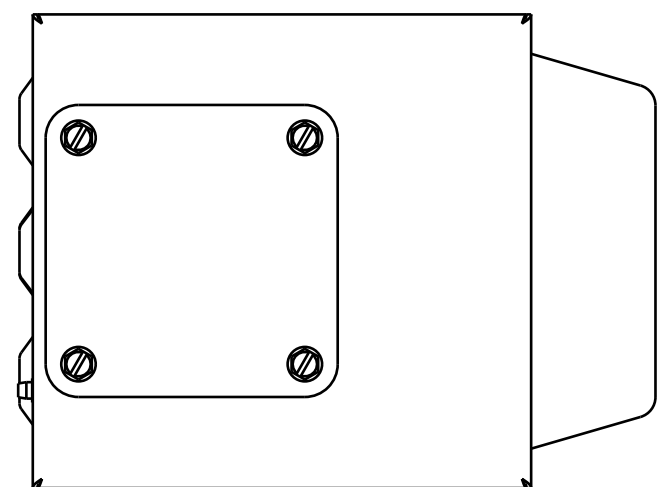


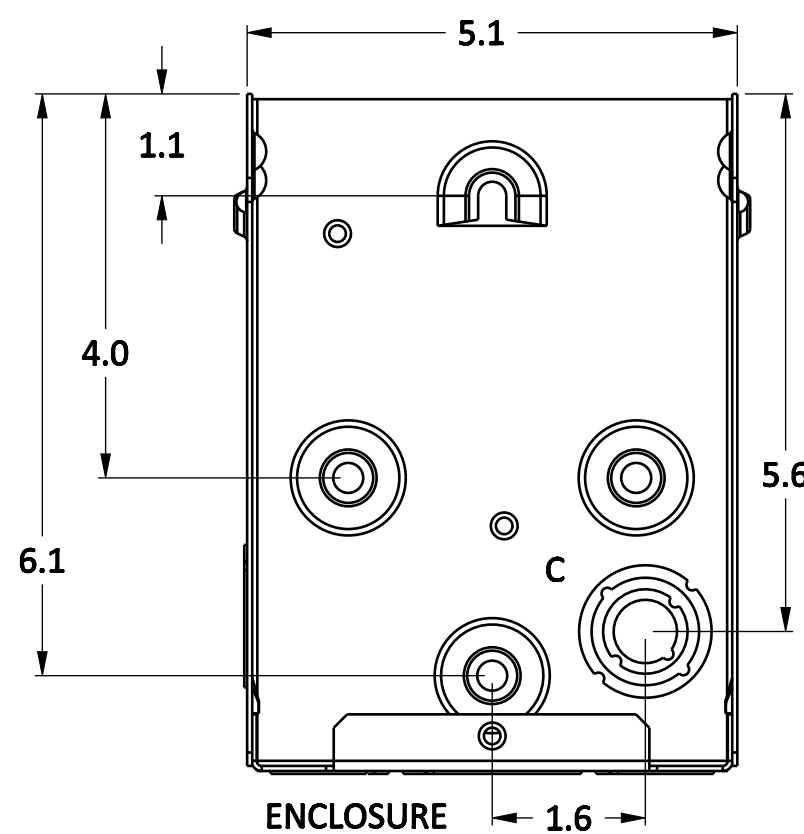
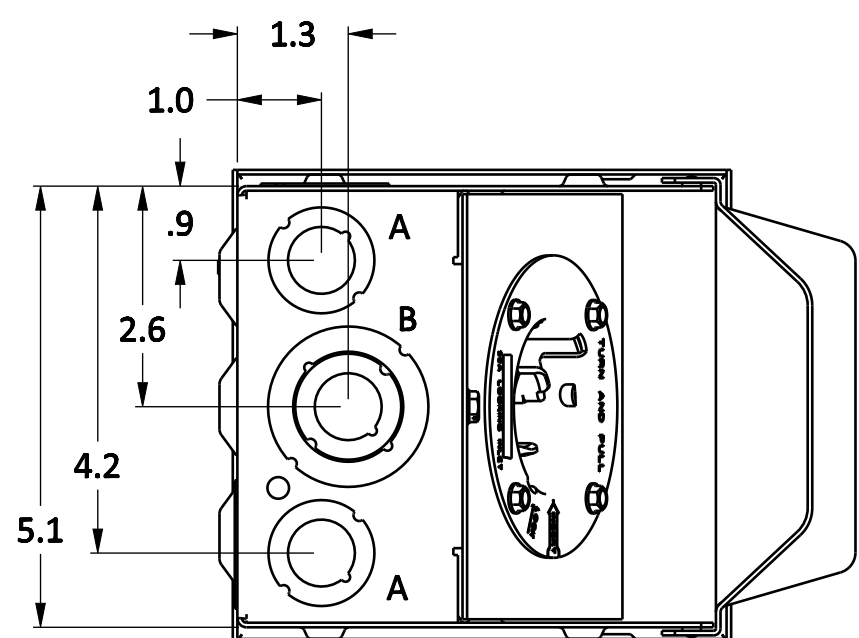
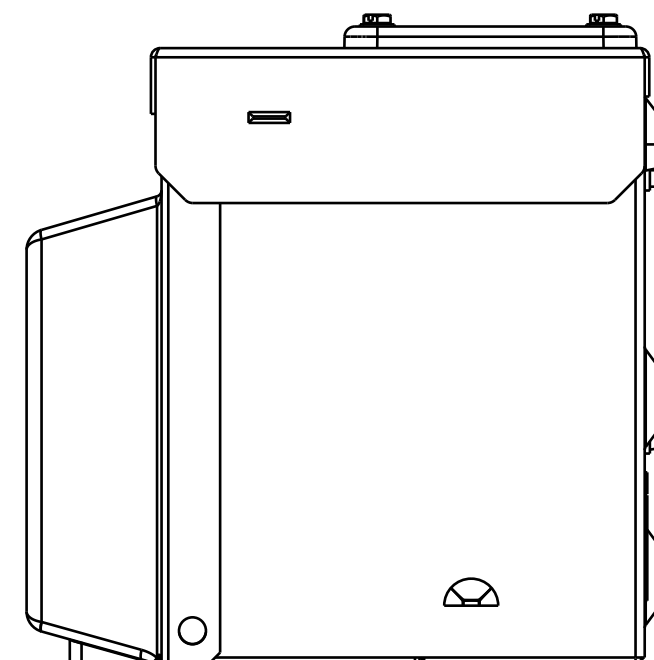
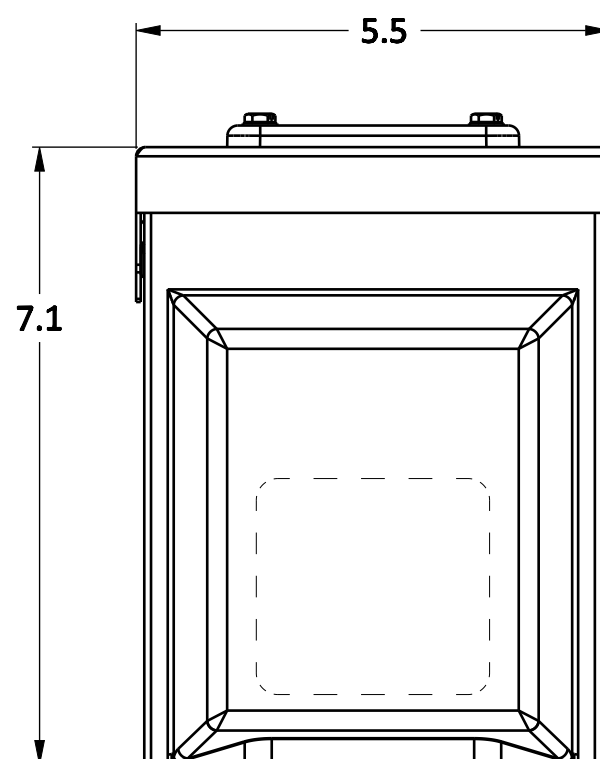
**GE PROPRIETARY AND CONFIDENTIAL INFORMATION**  
 This document is the property of General Electric Company ("GE") and contains proprietary information of GE. This document is loaned on the express condition that neither it nor the information contained therein shall be disclosed to others without the express written consent of GE Energy, and that the information shall be used by the recipient only as approved expressly by GE Energy. This document shall be returned to GE upon its request. This document may be subject to certain restrictions under U.S. export control laws and regulations.

REVISIONS			
REV.	DESCRIPTION	DATE	APPROVED

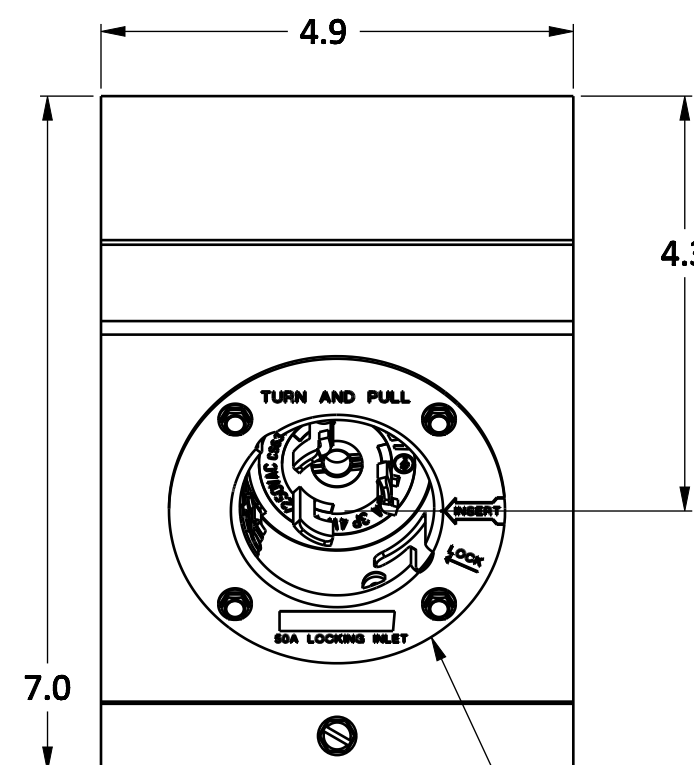
KNOCKOUT TABLE	
A	= 1/2", 3/4"
B	= 1/2", 3/4", 1", 1-1/4"
C	= 1/2", 3/4", 1"



SCALE 0.450

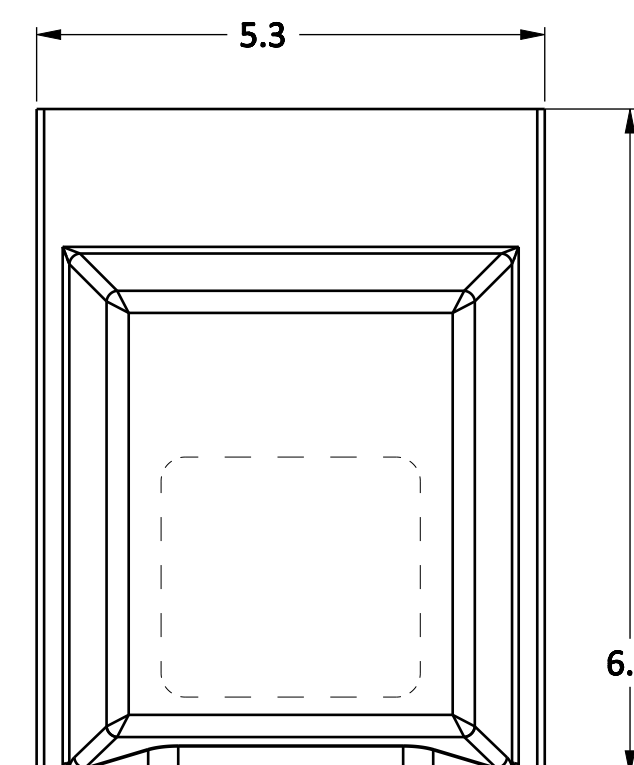


ENCLOSURE



FRONT PANEL  
SCALE 0.500

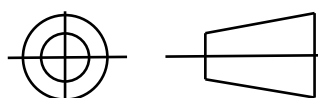
L14-50 FLANGED INLET



FRONT COVER

CONNECTOR	COPPER		ALUMINUM	
	SOLID	STRAND	SOLID	STRAND
LINE	6	6	---	---
LOAD	---	---	---	---
NEUTRAL	6	6	---	---
EQUIP. GRND.	12-8	12-8	---	---

THIRD ANGLE PROJECTION



Part must conform to SI 900000 Sect. 4, Toxicity Procedure

FOR ADDITIONAL INFO REFER TO:  
APPLIED PRACTICES

DIMENSIONS ARE IN INCHES  
**UNLESS OTHERWISE SPECIFIED IN DRAWING**

TOLERANCE ON:  
 1 PL DECIMALS ± 0.1  
 2 PL DECIMALS ± 0.02  
 3 PL DECIMALS ± 0.005  
 ANGLES ± 1.0

FRACTIONS ± FINISH

CRITICAL TO QUALITY CHARACTERISTIC

SIGNATURES

DATE

MODEL	
DETAIL	
CHECKED	
ENGRG	
MFG	
QUALITY	
ISSUED	
DRAWING FILE: 265A6204PV40	
SOLID MODEL: 265A6204PV36	

Midwest Electric Products

TITLE

OUTLINE DRAWING FOR U050NN & U050NPP

SIZE

DRAWING

265A6204PV40

REV

A

SCALE: 0.100

SHEET 1 OF 1